

EUROLAS - BRANCHPIPES WITH ADJUSTABLE JET

DESCRIPTION

Dedicated to the firefighting on board the boats in conformity with SOLAS 74, and with MODU code for Offshore platforms. The **EUROLAS** is a DMF type A fire nozzle with a three positions adjustable jet, for equipping hose systems with lay flat hoses.

Their system of diffusion makes it possible to obtain a homogeneous cone, of fine droplets, making the branchpipe very effective for the absorption of the calories and the protection of the branchpipe holder.

These branchpipes are easy to operate; by rotating the jet selector you change from the «close» position to the straight jet position and to the diffusion of protection.


The **EUROLAS** is composed of the following elements :

- Inlet coupling FM G 2 B to connect at the extremity of the hose,
- Gripping device,
- Jet selector,
- Marking of nominal size.

STANDARDS

Couplings in compliance with **NF S 61.701** and **DIN** standard.

Nozzle in compliance with **NF EN 671-2** and **NF EN 15182-1+A1** standard.

EUROLAS, certified nozzle according to the **MED 2014/90/EU**.  2690

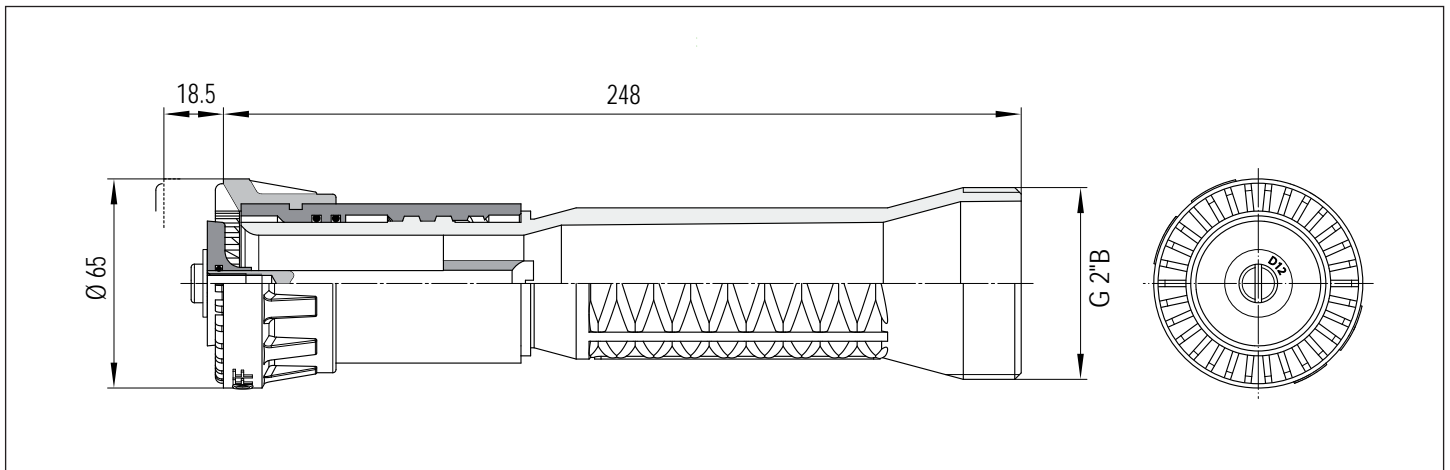
CONSTRUCTION

Body and nozzle : synthetic materials.


Jet selector : nickled-plated brass.

Axe of the selector and screws : stainless steel.

Ring and gaskets : NBR.



CHARACTERISTICS


Inlet couplings	Article codes			Weight (kg)
	Ø 12	Ø 14	Ø 16	
FM G2B	3046.2242	3046.2244	3046.2246	0,730
DSP 40 	3046.2192	3046.2194	3046.2196	0,990
STORZ C.52	3046.2582	3046.2584	3046.2586	0,950

Jet diameter		12	14	16
Flow rate* (L/mn)	2 bar	111	170	200
	4 bar	157	244	280
	6 bar	197	298	350
Effective Throw Ranges (m)*	2 bar	20	20	21
	4 bar	25,5	27	29
	6 bar	30	30,5	32,5

* Flow rates with straight jet. Throw ranges with curve angle of the nozzle 30° above horizontal.

CAUTIONS FOR USE

Connect the branchpipe at the extremity of the hose with compatible couplings.

 Do not use on electrical fires.

MAINTENANCE

Periodically check that the equipment is either blocked or damaged and that components do not corrode or leak.

The drawings and diagrams in the present document are for illustration only and do not constitute an offer. We reserve the right to make any modification without former information.